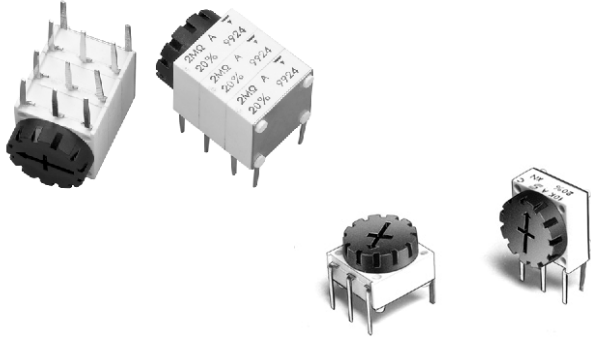


## Square Modular Cermet Trimmers



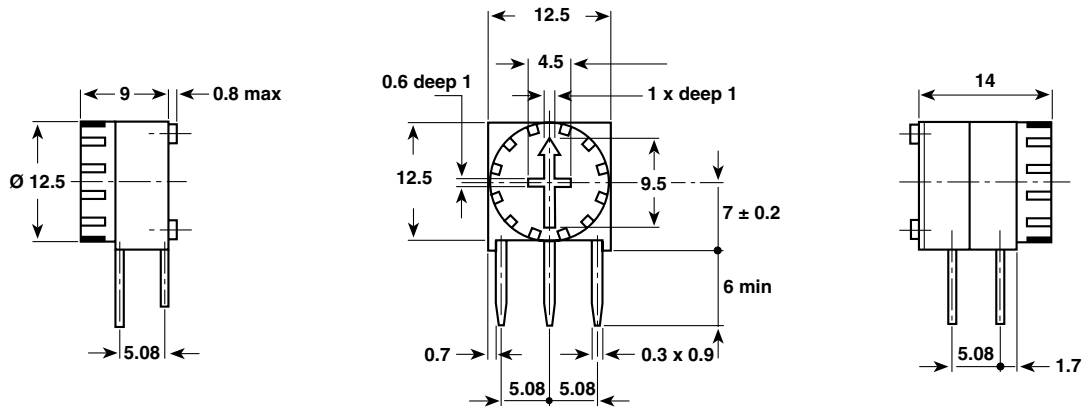
### FEATURES

- 0.5 W at 70 °C
- Industrial grade
- Up to 5 modules
- Switches and detents available
- Available in conductive plastic
- High rotational life up to 2000 cycles
- X and Y styles

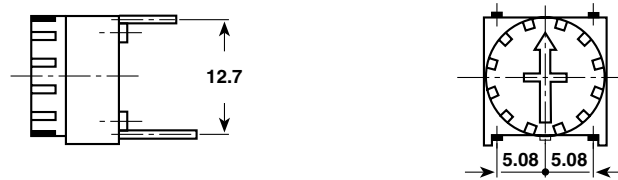


### DIMENSIONS in millimeters

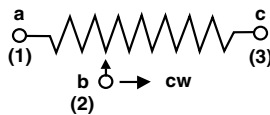
#### T11X



#### T11Y



### CIRCUIT DIAGRAM



Tolerances unless otherwise specified  $\pm 0.5$  mm

ELECTRICAL SPECIFICATIONS		
Resistive Element	cermet	
Electrical Travel	270° ± 10°	
Resistance Range	22 Ω to 4.7 MΩ	
Standard series E3	1 - 2.2 - 4.7 and on request 1 - 2 - 5	
Tolerance	Standard	± 20 %
	On Request	± 5 % or ± 10 %
Power Rating	Linear	at 70 °C: 0.5 W
	Logarithmic Laws, L, F, or S and ganged elements	at 70 °C: 0.25 W
Temperature Coefficient (for R <sub>n</sub> ≥ 100 Ω)	± 100 ppm/°C	
Limiting Element Voltage	350 V	
Contact Resistance Variation	2 % R <sub>n</sub> or 3 Ω (linear law)	
End Resistance (Typical)	2 Ω	
Independant Linearity (Typical)	± 3 % (linear law)	
Middle Keying Point (C V1M Typical)	± 3 %	
Insulation Resistance	10 <sup>6</sup> MΩ (500 VDC)	
Dielectric Strength (RMS)	1500 V <sub>RMS</sub>	

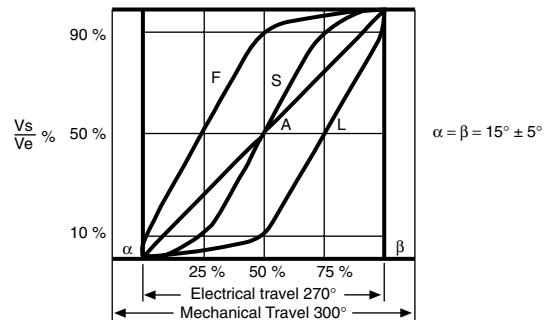
**MECHANICAL SPECIFICATIONS**

Mechanical Travel 300° ± 5°  
 End Stop Torque (max. Ncm) 35  
 Mechanical Life 2000 cycles

**ENVIRONMENTAL SPECIFICATIONS**

Temperature Range - 55 °C to + 125 °C  
 Climatic Category 55/125/56  
 Sealing enables cleaning IP64

**POWER RATING CHART**



Further information see P11/PA11 Document number 51031

PACKAGING
- Carton box of 45 pieces, code BO45 for Y style (SAP code B24) and carton box of 80 pieces, code BO80 for X style (SAP code B28)

ORDERING INFORMATION						
T11	X	470 kΩ	± 20 %	A	BO80	e3
SERIES	STYLE	OHMIC VALUE	TOLERANCE	LAW	PACKAGING	LEAD FINISH
	Y				Y Style: BO45	
	X				X Style: BO80	e3: pure Sn

SAP PART NUMBERING GUIDELINES														
T	1	1	X	4	7	4	M	A	B	2	8			
MODEL		STYLE	OHMIC VALUE			TOL	LAW	PACKAGING CODE		SPECIAL (IF APPLICABLE)				
See the end of this data book for conversion tables														



## Disclaimer

All product specifications and data are subject to change without notice.

Vishay Intertechnology, Inc., its affiliates, agents, and employees, and all persons acting on its or their behalf (collectively, "Vishay"), disclaim any and all liability for any errors, inaccuracies or incompleteness contained herein or in any other disclosure relating to any product.

Vishay disclaims any and all liability arising out of the use or application of any product described herein or of any information provided herein to the maximum extent permitted by law. The product specifications do not expand or otherwise modify Vishay's terms and conditions of purchase, including but not limited to the warranty expressed therein, which apply to these products.

No license, express or implied, by estoppel or otherwise, to any intellectual property rights is granted by this document or by any conduct of Vishay.

The products shown herein are not designed for use in medical, life-saving, or life-sustaining applications unless otherwise expressly indicated. Customers using or selling Vishay products not expressly indicated for use in such applications do so entirely at their own risk and agree to fully indemnify Vishay for any damages arising or resulting from such use or sale. Please contact authorized Vishay personnel to obtain written terms and conditions regarding products designed for such applications.

Product names and markings noted herein may be trademarks of their respective owners.